

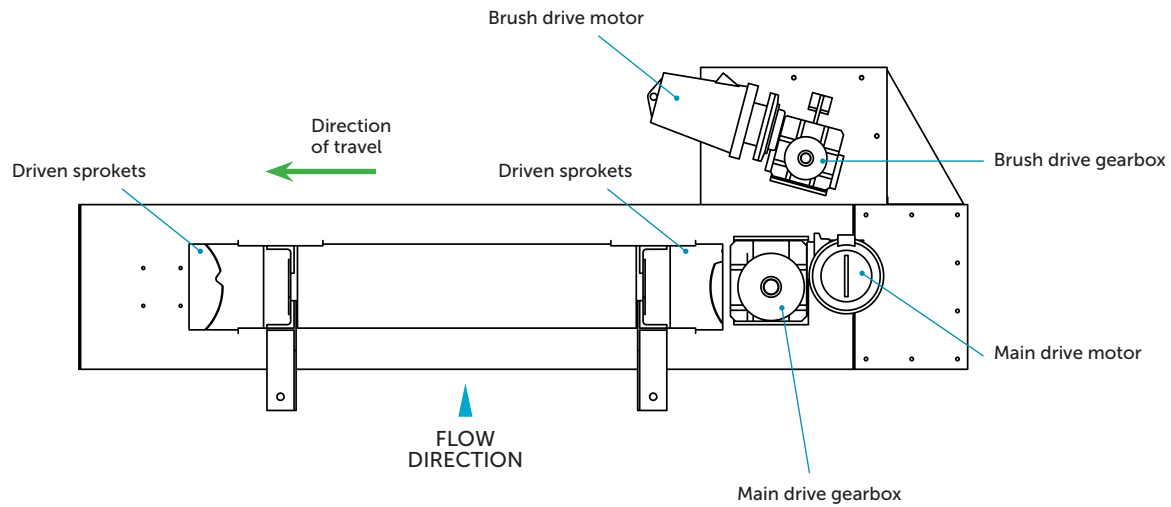


Stormguard Overflow Screen

Key Benefits

- WIMES 5.04 compliant
- 2 dimensional screen aperture size 6mm
- Perforated band screen keeps screenings in foul flow
- Locates directly on to existing weir wall
- Average screening retention of 63%
- Materials of construction stainless steel 304L as standard, stainless steel 316L optional

Stormguard Overflow Screen



Features and Benefits Specifications

- Single or double sided weirs
- Modular construction available
- Capable of up to 5250l/s flows
- WAPUG chamber design
- No wash water requirements
- Auto reset if over topped
- Built in bypass weir
- Most efficient screen on the market according to UKWIR

MODEL	200	450	650
Brush Motor	0.75 or 1.5 kW on all models		
Screen Motor	0.75kW	1.5kW	1.5 or 2.2kW
Min Effective Weir	575mm	1100mm	1500mm
Max Effective Weir	7975mm	8100mm	8100mm
Min Screen Width	400mm	600mm	600mm
Max Screen Width	1800mm	1800mm	1800mm
Max Flow	1800l/s	3650l/s	5250l/s
Min Structural Length	1075mm	1600mm	2000mm
Max Structural Length	unlimited (can use more than one screen) in series or parallel		