



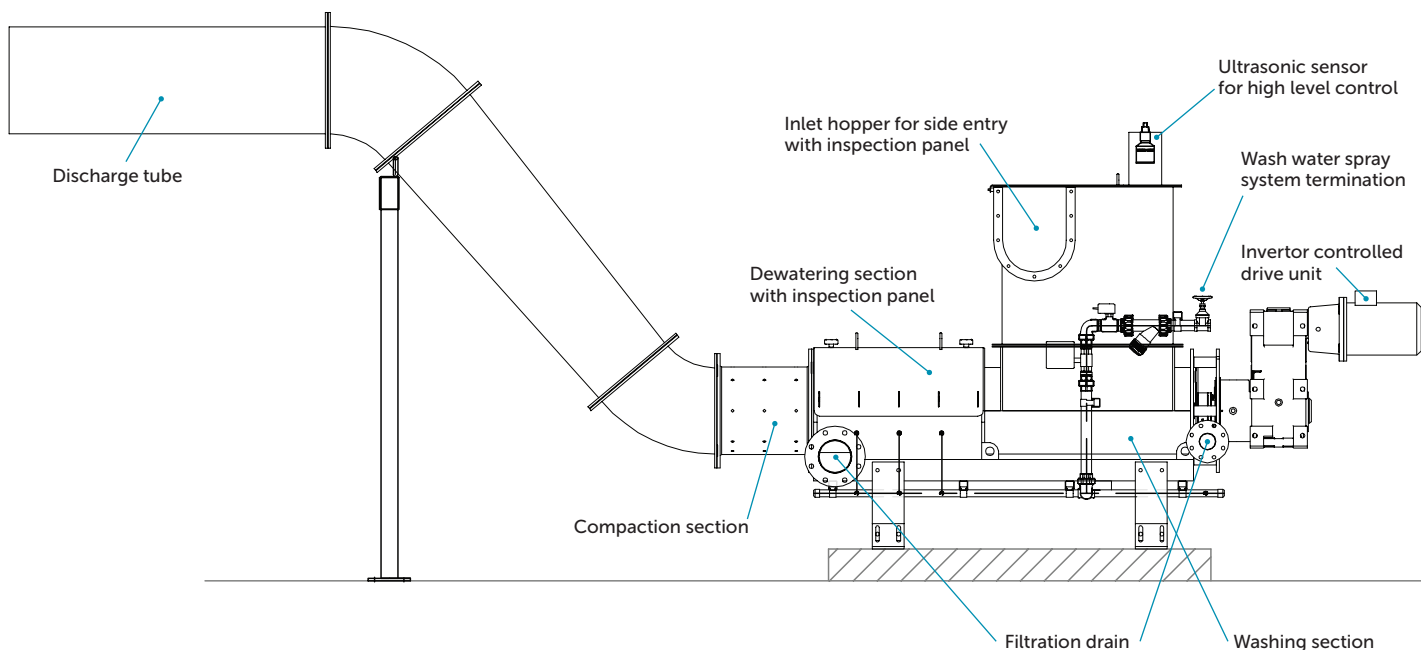
Combi-Wash/250/400/800 Screenings Handling Equipment

Key Benefits

- WIMES 6.03 compliant
- Single unit for washing, dewatering and compacting
- Final product conforms to the landfill directive requirement
- Low inlet height and small foot print
- Fed directly by laundered flow or conveyor
- Robust design, simple to use, simple to maintain
- Tested at the National Screenings Treatment Equipments Test Facility, Netheridge STW, England

Combi-Wash/250/400/800

Screenings Handling Equipment



Features and Benefits

- Max 20l/s of launder water capacity
- Stainless Steel 304l as standard. Stainless Steel 316l option available
- Simple to retrofit
- Handles unprocessed screenings
- Unique design for best compaction
- 35 years of development taken from our Rotapak screw compactor
- Elevated or elongated discharge chute option
- Delivers 35% dry solids
- Design life >20 years

Specifications

MODEL	Combi 250	Combi 400	Combi-Wash	Combi 800
Normal Screenings Capacity	up to 3m ³ /hr	up to 8m ³ /hr	up to 8m ³ /hr	up to 16m ³ /hr
Peak Screenings Capacity	up to 4m ³ /hr	up to 12m ³ /hr	up to 12m ³ /hr	up to 24m ³ /hr
Launder Flow Min	6-8l/s	8-10l/s	8-10l/s	16-20l/s
Washwater Requirements	1l/s @ 4 bar	1l/s @ 4 bar	1l/s @ 4 bar	2l/s @ 4 bar
Drive Size	3.0kW	5.5kW	5.5kW	5.5kW x 2off
Invertor Driven	Yes	Yes	Yes	Yes
Dry Solids	35%	35%	35%	35%
For sewer flow type	Gravity	Yes	Option	Yes
	Screw Pump	Yes	Option	Yes
	Impeller Pump	Yes	Yes	Yes
Recommended with Screens	1D & 2D	1D & 2D	2D	1D & 2D