



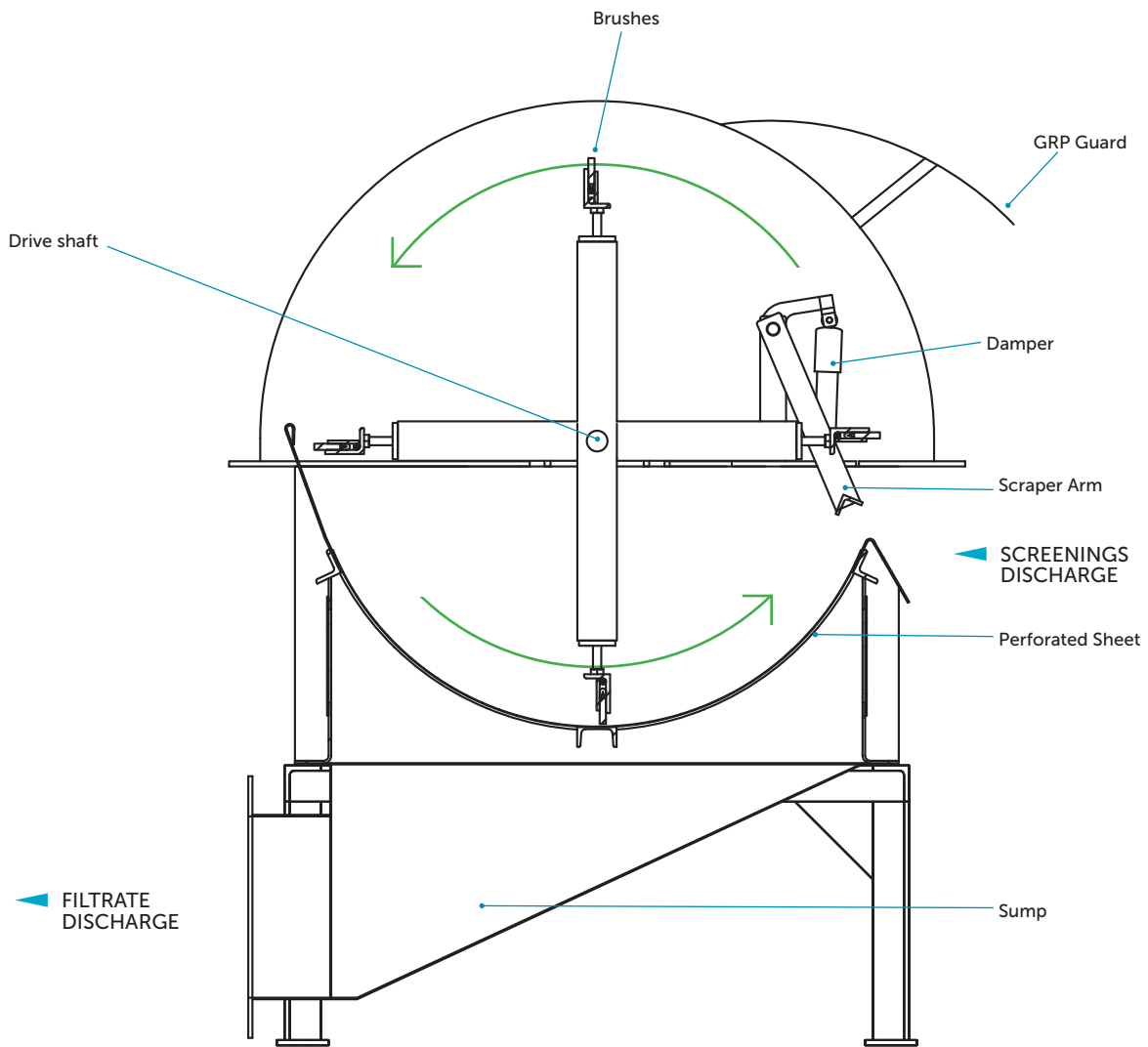
# D Screen Fine Screen

## Key Benefits

---

- WIMES 5.03 compliant
- Stand alone perforated screen
- Proven design with continual development
- Simple self cleaning screen
- Various perforations available 5, 3, 1.5 and 0.8mm
- Enclosed unit
- Various inlet and outlet options
- Used in industrial and municipal applications

# D Screen Fine Screen



## Features and Benefits

- Mild or stainless steel available
- Large range of sizes
- No need for costly civil excavations
- Suitable for pumped and gravity flows
- Wash water not required
- Gravity drop flow through the screen
- Can be coupled directly to Rotapak Compactor
- Odour control

## Specifications

Length Min	430mm
Length Max	4610mm
Widths	1023mm or 1880mm
Inlet Pipe	250mm or 500mm flanged